



PAWS Users Group Newsletter

Volume 18 No. 2

May 2001

A short Spring edition to bring you up to date on events this side of the Atlantic, which could of course be either the US or Europe!

Program News

We are continuing to make deliveries on all the major DoD programs as well as the multinational programs in Europe. Recently the RTCASS program upgraded to the RTS Server product (9730), providing a growth path to WEB Based architectures. The TORNADO upgrade program is in the final throes of acceptance, the major milestone of running the self-test on each of the Low Frequency (LF), Radio Frequency (RF), and Video configurations having been completed. We are also in the final throes of integrating the C-17 Depot Tester with our customer Teradyne and their customer, Boeing. Last but no least, programs such as the F-15 ADTS, MilStar APATS, and the IFTE CEE Digital additions, as well as the Boeing PIP development are all on-going or nearing completion.

The TestBase system has been accepted at the last customer's site, and we are currently pursuing some major opportunities for this innovative product. More on some of the new features can be found below, in the section devoted to TestBase.

Our Far-Eastern operations are off to a good start this year, as we are embarking on a major upgrade program as well as making inroads into new territories for product sales.

Our participation in the CASS off-load program through our engineering services subsidiary, Access Research Corporation (ARC) continues to gain strength. ARC has been selected to develop TPS' for Raytheon on the M1 Tank program for an FMS customer. ARC is continuing their TETS TPS development efforts.

ARC is also active in the IV&V world building on their strength with the State of California as a long term customer. They are currently assisting the State on the State Automated Welfare System (SAWS) in an IV&V oversight role. ARC is also active in development of TPS' for Commercial Airlines, and are also involved in studies of MATE Testers.

New Product Announcements

By now, you must have guessed that this was the reason for this newsletter! We are so excited by these items that we could not wait till Autotestcon in August!

First, the **R**un Time **T**est **D**iagrammer (RTDG). This product replaces the Rapid Parameter changer (RPC). The Part Number (9507) remains the same, but the functionality and performance run circles around the earlier offering. We believe that the diagram below speaks volumes. There are two versions of this product, the viewer option attached to the Run Time System (P/N 9507), as well as the documentation tool (P/N 9505). The viewer provides real time updates of the status of the equipment as seen below. There are a number of options to customize the behavior. We refer you to the Web site for further details or you may call your friendly TYX representative for details. The state of the instruments are depicted vis-à-vis the functions selected, and the components of the signals, including their specific set-ups, are shown in addition. Indeed, the user can select an option to change the specific component values of a given signal.

The performance of this tool is awesome in that we had to add an option to delay the screen refresh by some user specified increment, in order that the hapless user has a chance to see the diagram flash by! In reality, we see this as a trouble shooting aid, since the user would stop and refresh the diagram at some known point in the exercise.

The second version of this product is full fledged as a documentation tool in that the user can store the diagram, print it, and even modify it if he chooses. This P/N is 9505.

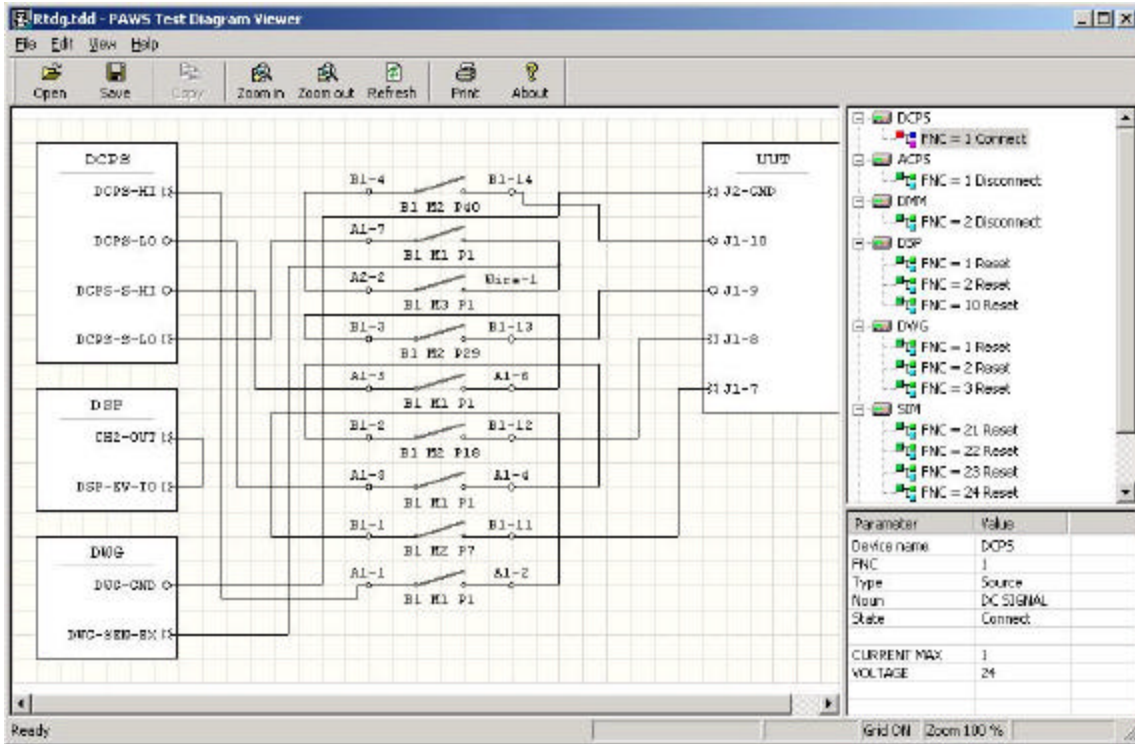


Figure 1 Run Time Test Diagrammer Output

TRD 2.0 Product Update

This complete redo of the TRD (Test Requirements Documentation) product line was necessitated by customer demand. Some years back, the DoD decided to abolish Mil-Standards as unnecessary relics of the past. Whereas in some cases, this blanket decision was meritorious, in others such as the Test Requirements arena, there was a vacuum created. This is due to the fact that industry relied on these documents (albeit not with the rigor found in the Mil-specs.) as part of the process of generating Test Specifications.

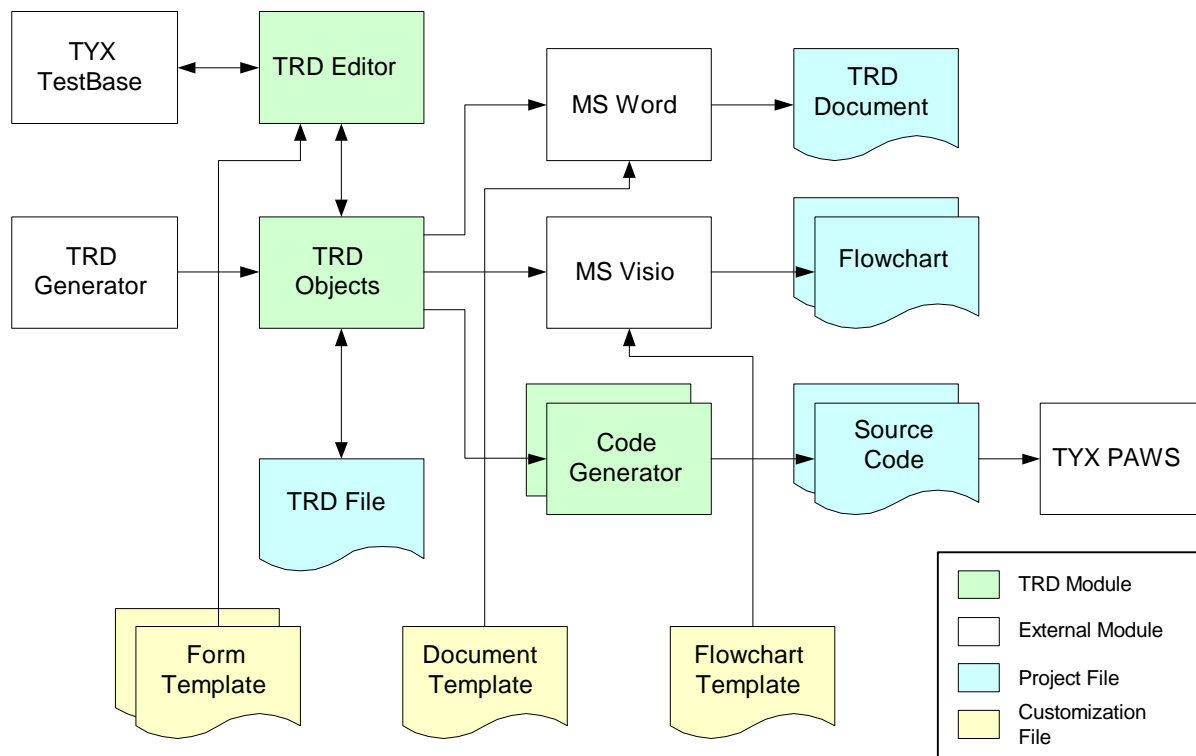
So we started seeing a recurring demand in the marketplace for this type of capability. We first brushed off our old product line, and indeed, have shipped it to a number of customers in the last year. However, we recognized that we had better get busy to update the product, and informed those customers that we would be sending them the new TRD 2.0 product mid-year.

The familiar ring of products is still available as follows:

1. TRD editor (now a HTML based editor), which generates an XML file for the data base containing the requirements.

2. Flowcharter which generates the Test Strategy flowchart; this product employs VISIO® as the back office tool to mechanise the flow chart.
3. Code Generation module, which generates ATLAS as well as having the intelligence (please, none of the artificial kind), to generate other languages such as C++, Visual Basic etc.
4. Import capability to populate the database from tools such as the dependency modeler eXpress, and other such front-end analysis tools.

The architectural diagram below depicts the components as well as the state of the art technologies employed in this redo.



TestBase update

This product has been delivered and installed at the last customer’s site. The customer has already placed another test system on order with TestBase. Other organizations are in the final stages of procurement in ordering TestBase. We are pleased to have found the mark with this next generation offering. We refer

you to the Web site for all the product details. We just want to highlight some of the reporting capabilities of this toolset.

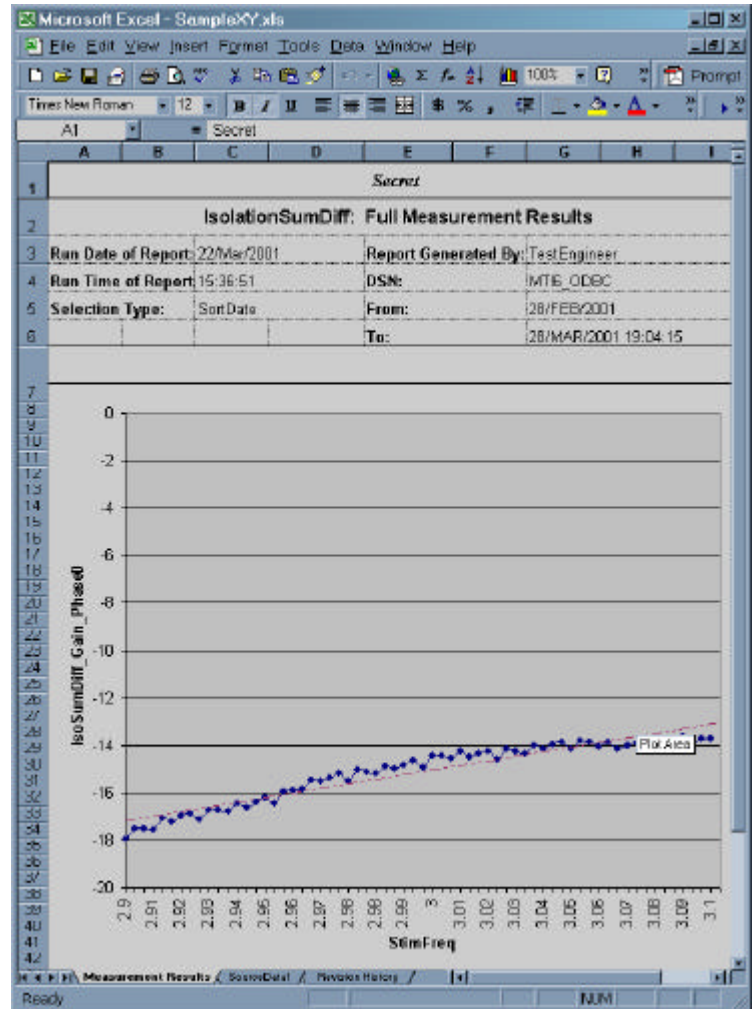
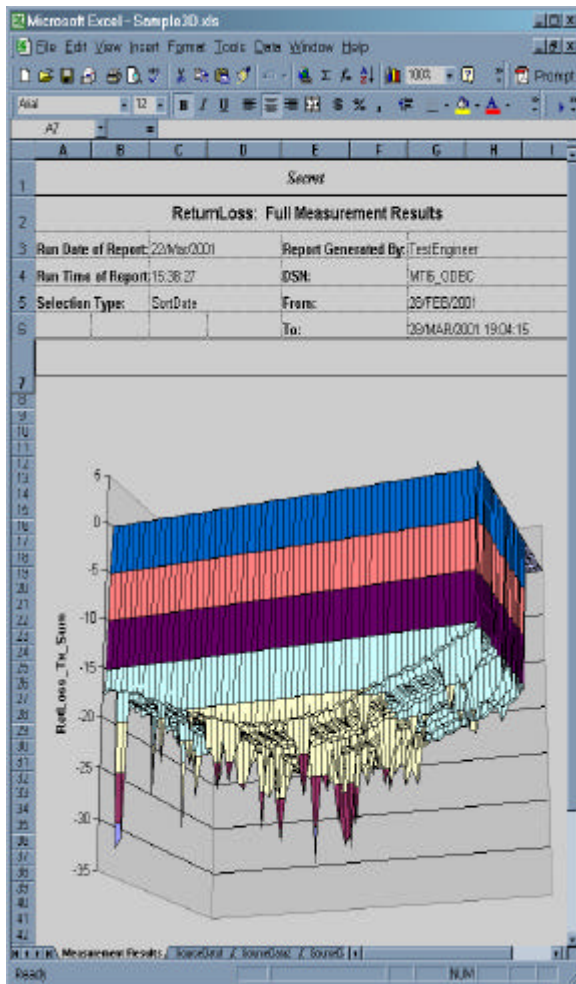


Figure 3: TestBase Report Samples

PAWS User Group Meetings

We lead off this year's series on June 8, 2001 with a meeting in Paris, hosted by our European partners. This is followed by Tokyo, Japan on June 19; this meeting is being hosted by Y-MAX Systems, our Japanese Distributor.

Next on the schedule is the US PUG, traditionally held during Autotestcon week. This year the tentative date is Monday August 20. We look forward to seeing you all at one of our User Group Meetings.