

**Release Notes**  
**Product 9505: Test Diagram Generator (TDG) Documentation Tool**  
**and / or**  
**Product 9705: Dynamic Monitor/Changer (DMC)**  
**Version 01.19.01**  
**18 July 2002**

**1.1 Critical Items**

None

**1.2 Known Limitations**

None

**1.3 Enhancements**

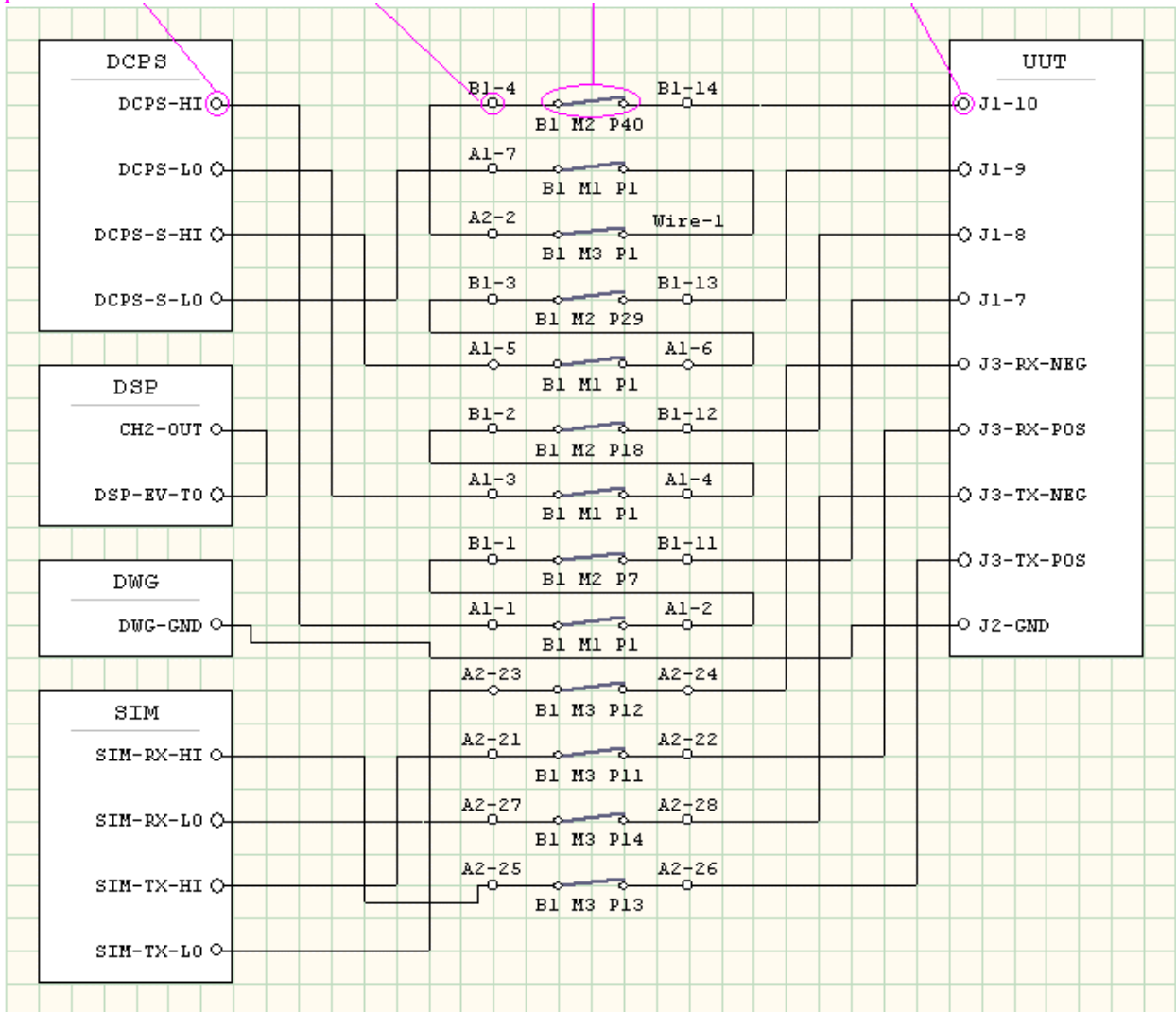
1.3.1 Increased the diagram readability

In order to increase the readability of the diagram and to be more intuitive, the graphical representation of the switch, ports and pins was changed. The switch is represented as a closed switch, also to make them more visible the size of the adjacent pins and ports was increased. The following diagram is represented before applying the changes mentioned above:

\

The same diagram has the following graphical representation after applying the changes:

new size port pin      new size pin      closed switch      new size UUT



### 1.3.2 The Visio exporter was enhanced to support Microsoft Visio 2002

The Visio exporter was tested and enhanced to support Microsoft Visio 2002 (part of Microsoft Office XP package).

### 1.4 Problem Reports None